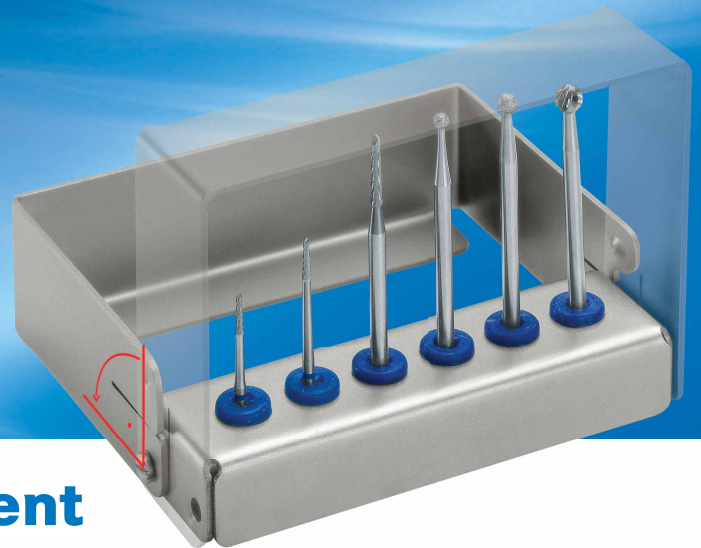


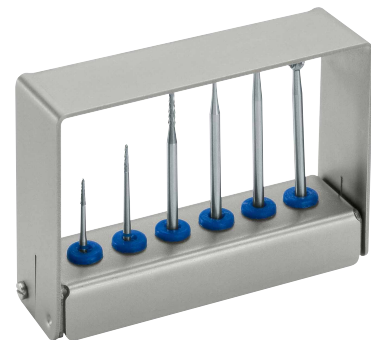
Surgical bur block

Height: 40 mm / 50 mm / 70 mm



So simple, so convenient

- Universal bur block, particularly suitable for longer surgical instruments
- Saves space
- Tiltable lid to ensure stable position
- 6 blue silicone plugs as universal instrument holders
- Different types of shanks can be combined. Block fits turbine, hand-piece and contra-angle instruments
- Equally suitable for organizing preparation sequences, e.g. rotary instruments to perform a sinus floor elevation.
- Bur block can be reprocessed according to all popular methods (disinfection, ultrasound, thermo disinfectant)
- Stainless steel, silicone plugs
- Silicone plugs also available in yellow or red



REF 9890L5 (without instruments)

9890L4 / Height 40 mm suitable for example for bone cutters:

H254E/LE.314

Trepan burs:

227A/B/C.204

9890L5 / Height 50 mm suitable for example for bone cutters:

H141A, H162A, H166A.104,

Pilot drills for implantology:

210L16/L19/L20.204 und .205

9890L7 / Height 70 mm Suitable for instruments with shank 105 long hand-piece